

# ARO Grid 3

Acoustic Ceiling System

filzfelt





ARO Grid 3 takes the rectangular ceiling grid and comes full circle.

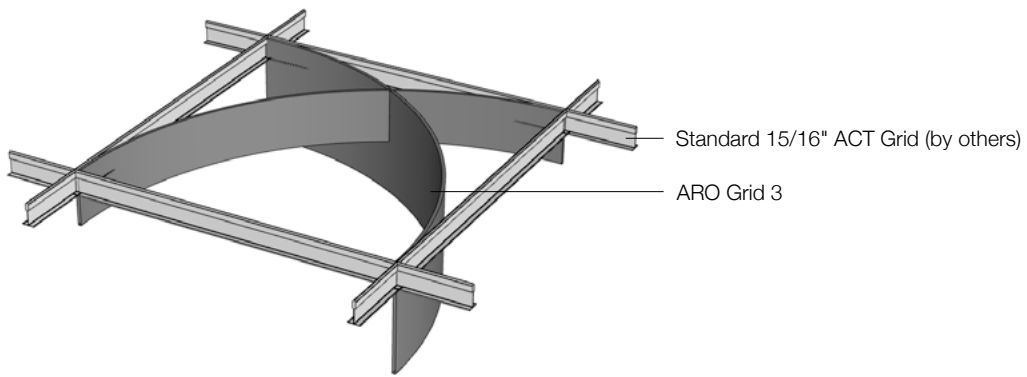
This versatile and variable system combines two arcs of varying depths to break up the drop ceiling grid with curved forms and active patterning. Mix up colors to create secondary patterning or keep it simple with a landscape of mono-toned forms in a ceiling system that keeps the design bar high while it's budget-friendly to boot.

ARO Grid was designed by Architecture Research Office (ARO), a New York based firm dedicated to architecture that unites beauty and form with strategy and intelligence.

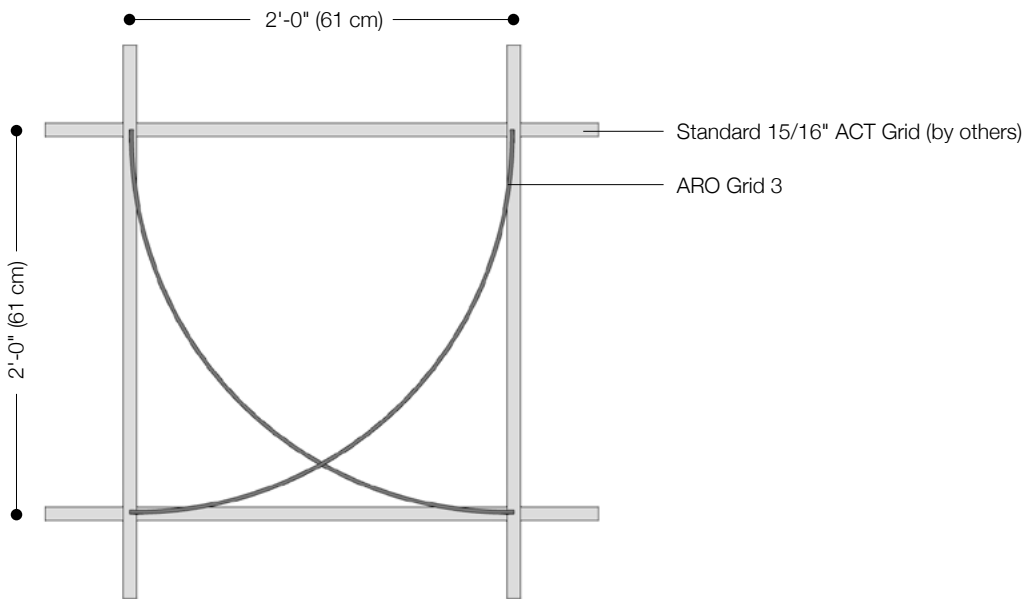


"We strive to convey a sense of calm, warmth, and joy in our product designs as well as through the architecture we design. We take inspiration from both material expression and functionality. We work to elevate spaces through careful attention to detail and use, and to emphasize the responsible use of materials and seek to balance beauty and strategy through design, pattern and texture."

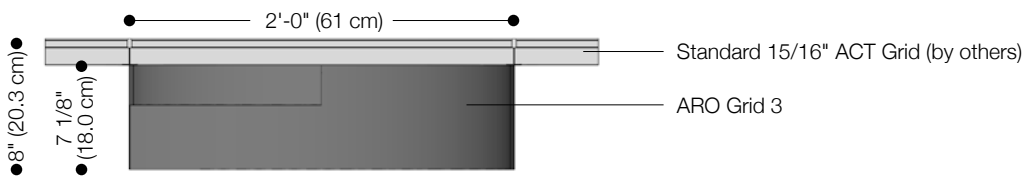
– Architecture Research Office, designers of ARO Grid 3



**Perspective View**

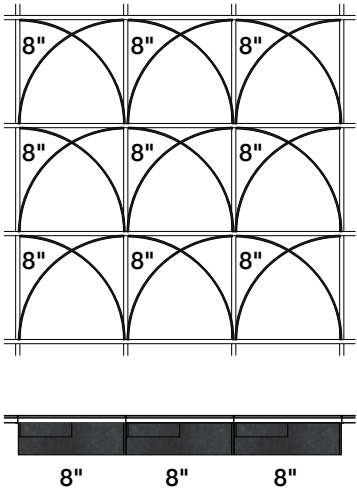
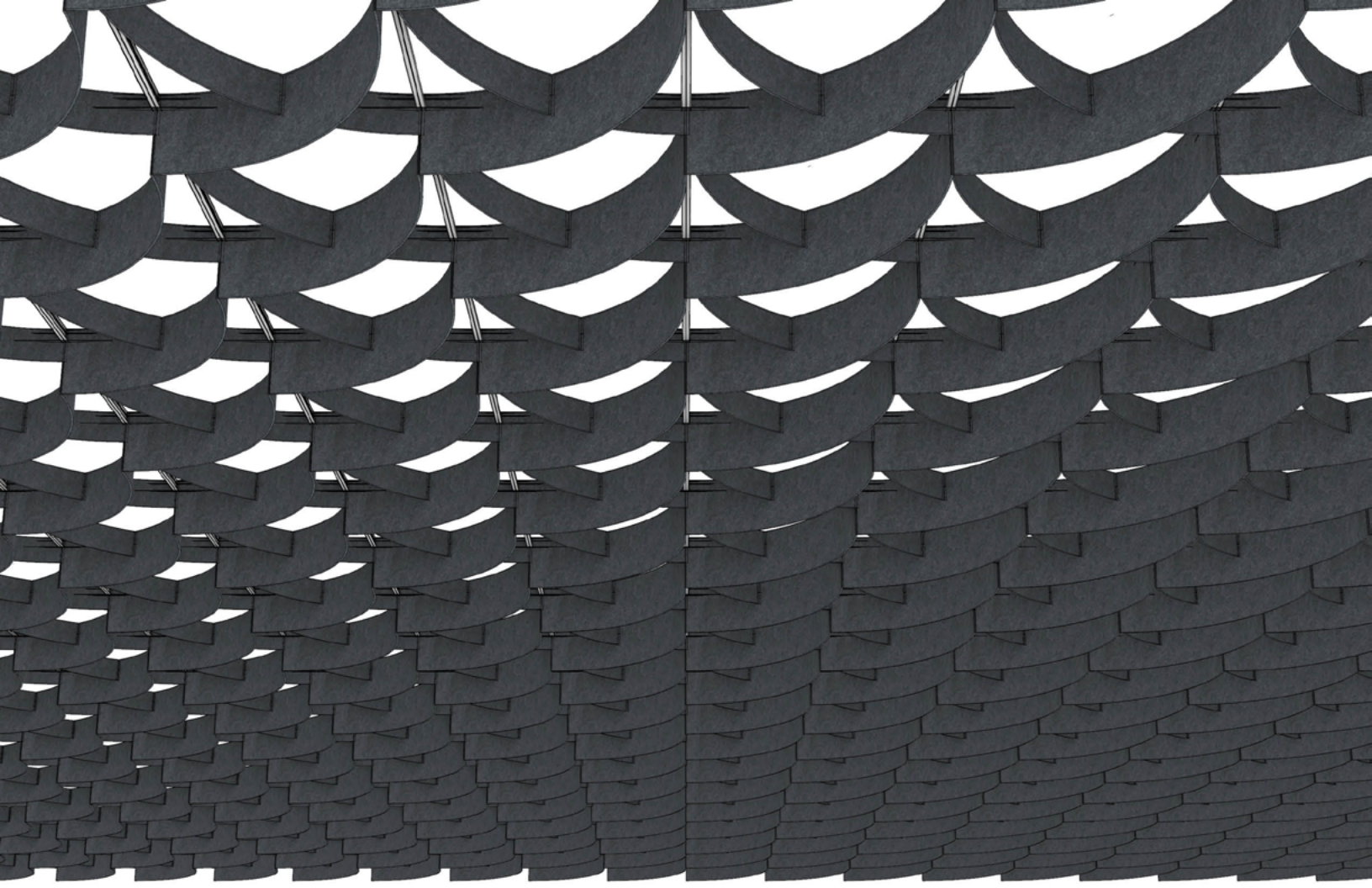


**Reflected Ceiling Plan**



**Front Elevation**

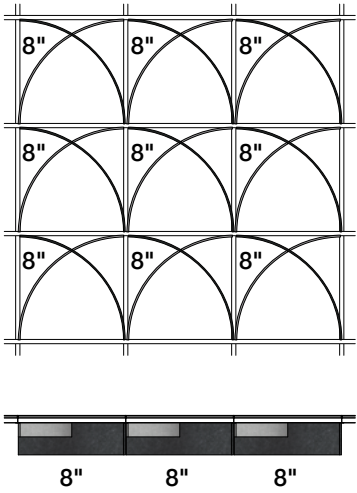
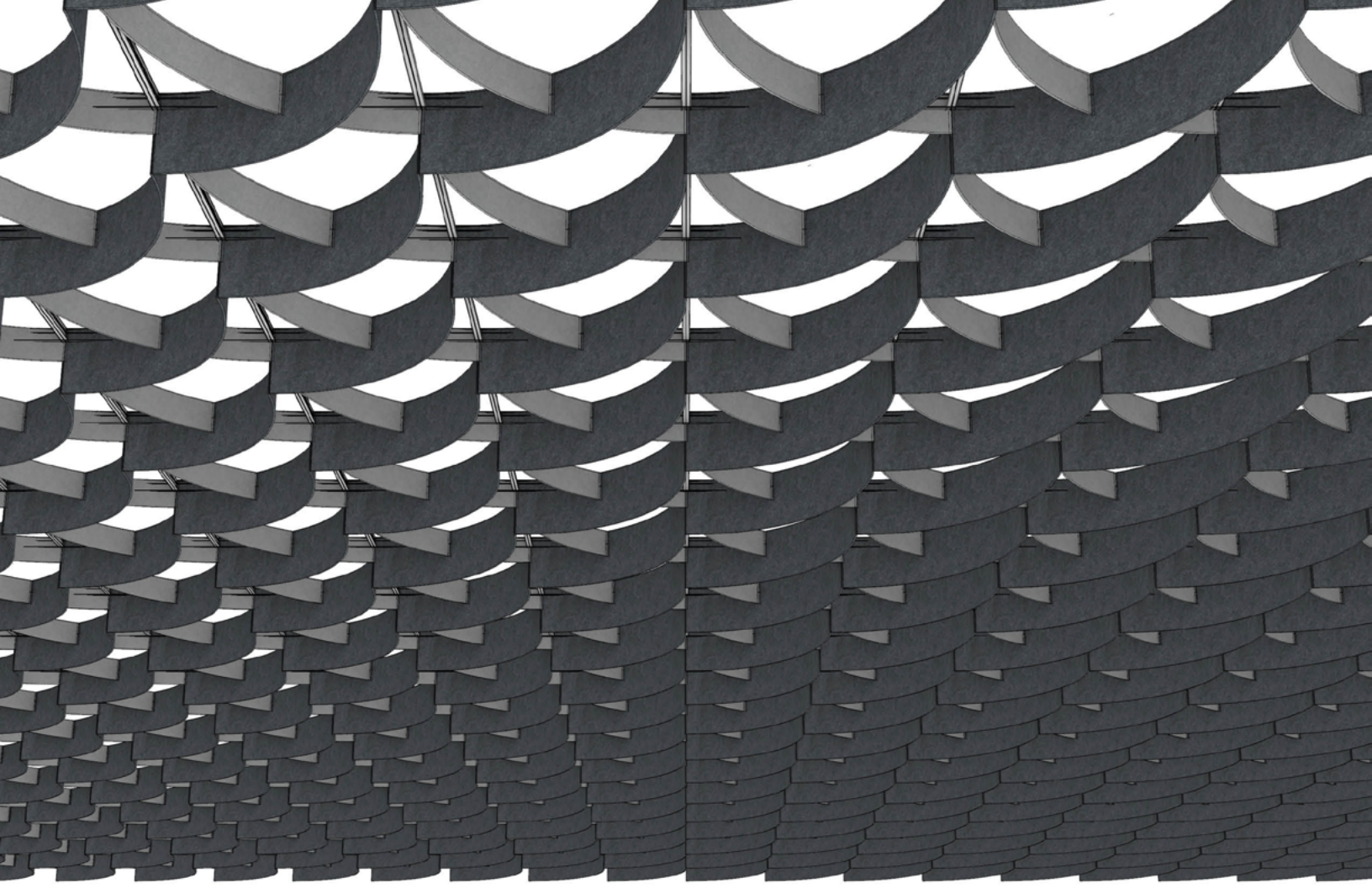




### Suggested Pattern 3.1

Standard Height in 1-Color

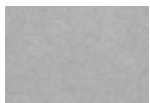
info@filzfelt.com | [filzfelt.com](http://filzfelt.com)



**Suggested Pattern 3.2**  
Standard Height in 2-Color

<b>Product</b>	ARO Grid 3
<b>Designer</b>	Architecture Research Office
<b>Content</b>	Akustika 10 (60% post-consumer recycled content)
<b>Standard Size</b>	2'-0" x 2'-0" x 8" (61.0 x 61.0 x 20.3 cm)
<b>Colors</b>	1-Color per ceiling
<b>Open Area</b>	88.0%
<b>Custom</b>	2-Color modules are available and must be quoted
<b>Lead Time</b>	Made to order and certain lead times will apply
<b>Installation</b>	Fit in standard 2x2 ACT suspended ceiling grid. Refer to ARO Grid 3 Installation Instructions for complete guidance.
<b>Maintenance</b>	Vacuum occasionally to remove general air-borne debris. Should soiling occur, spot clean with mild soap and lukewarm water.
<b>Variation</b>	Color variation is evidence of the manufacturing process of the material. Product color is only indicative, as it is not possible to assure consistency of color due to the deliberate mixture of colors in the dyed fibers. Color matching cannot be guaranteed on shipments and variation will be more pronounced beyond the normal commercial range.
<b>Environmental</b>	60% post-consumer recycled content, 100% recyclable, contains no formaldehyde, 100% VOC free, no chemical irritants, and free of harmful substances Akustika 10 contributes to LEED® Download Declare Label Living Building Challenge Compliant Oeko-Tex® Standard 100 Certified Product Class II Meets VOC test limits for the CDPH v1.2 method
<b>Acoustics</b>	ASTM C 423: NRC – 0.45, SAA – 0.45
<b>Colorfastness to Light</b>	Class 5 (72 hours)
<b>Flammability</b>	Test reports available upon request

**Standard Colors**



05 Ice



02 Medium Grey



03 Dark Grey