

Baffle with Ceiling Mount Installation Instructions

Akustika 10 Baffle, Akustika 25 Baffle, ARO Baffle 1

These installation recommendations consist of common-sense practices for installing baffles and similar products. Installers should rely upon their own professional experience and understanding of their unique requirements to be the best guide to a successful installation.

Tools Needed

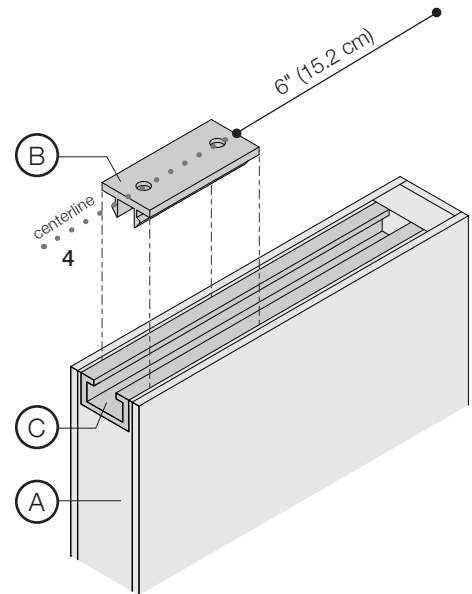
Ladder
Laser or string level

Components Provided

- A Baffle(s) with c-channel
- B 2 x Ceiling Mount Clips per baffle

Installation Instructions

- 1 Inspect the baffles. In the case of product defect or damage in transit, FilzFelt must be notified within five (5) business days. FilzFelt cannot accept a return or warranty claim on any product that has been installed.
- 2 Each baffle includes a C-Channel (C) along the top and 2 x Ceiling Mount Clips (B).
- 3 Make sure the ceiling is flat and level.
- 4 On the ceiling, mark the centerline of the baffle install location with a line or laser level and mark 6" (15.2 cm) in from each end of the baffle.
- 5 Install the Ceiling Mount Clips (B) with suitable fasteners at the points 6" (15.2 cm) in from each end of the baffle.
- 6 Press one side of the C-Channel (C) along the top of the baffle onto the Ceiling Mount Clip (B) then press the other side to engage the clip. Rock the baffle to secure.
- 7 Once the baffle is secured to the clips, it may be slid to adjust the location slightly.
- 8 To remove the baffle, use two putty knives inserted between the C-Channel (C) and ceiling. Pry gently and evenly to release one side at a time.



Cleaning Instructions

Wool Felt: Like any natural fiber, a minimal approach should always be taken to clean wool felt since the cleaning method could potentially do more harm than the soiling or stain. The cleaning approach should be (1) dust with a lint roller, (2) vacuum with a clean, soft brush, (3) clean with water and mild detergent, and (4) clean with chemical spot remover. **IMPORTANT:** Always test any cleaning method in an inconspicuous area before attempting general cleaning.

Akustika 10: Vacuum occasionally to remove general air-borne debris. Should soiling occur, spot clean with mild soap and lukewarm water. For complete instructions, refer to the Product Maintenance + Cleaning Guide at filzfelt.com/cleaning-guide.