

Wing Installation Instructions

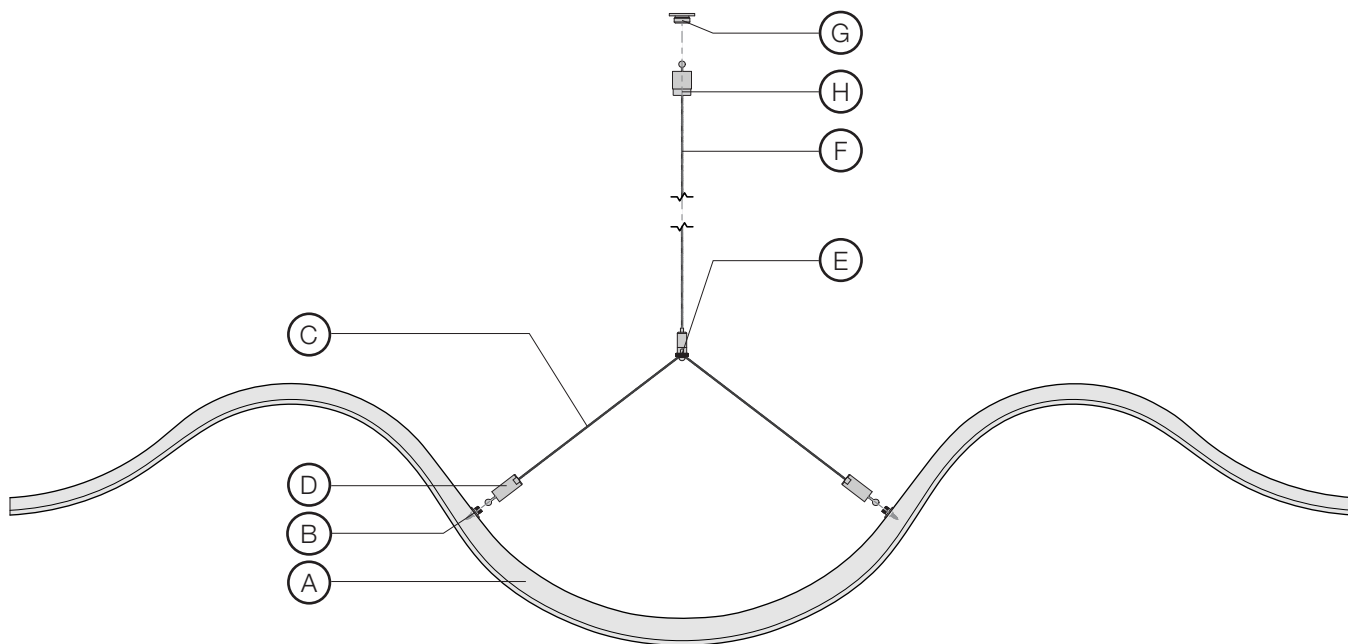
These installation recommendations consist of common-sense practices for installing baffles and similar products. Installers should rely upon their own professional experience and understanding of their unique requirements to be the best guide to a successful installation.

Tools Needed

Ceiling screws appropriate for ceiling type
Drill
Ladder
Laser or string level
Wire cutter

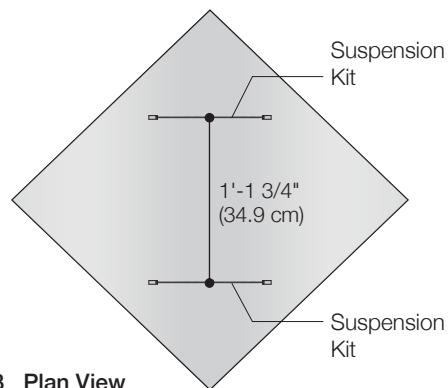
Components Provided (per panel)

- A Panel with 4 x Cable Mounting Plates (B) pre-installed
- C 2 x Suspension Cables with 2 x Collars (D) + 1 x adjustable Cable Gripper (E) pre-installed
- F 2 x 3'-0" (91.4 cm) lengths of Suspension Cable with Zinc Ball
- G 2 x Wing Ceiling Mounting Plates
- H 2 x Collars



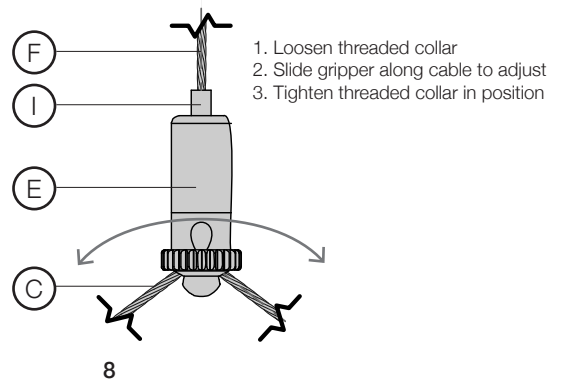
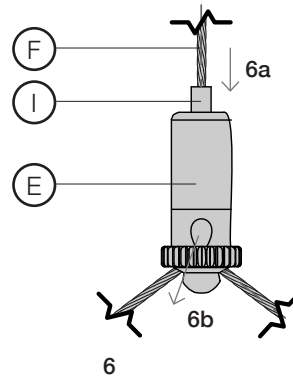
Installation Instructions

- 1 Inspect the product. In the case of product defect or damage in transit, FilzFelt must be notified within five (5) business days. FilzFelt cannot accept a return or warranty claim on any product that has been installed.
- 2 Each Panel has two (2) ceiling suspension kits. Screw the two (2) Collars (D) on each Suspension Cable (C) to the Cable Mounting Plates (B) pre-installed in the Panels as indicated.
- 3 Fasten two (2) Wing Ceiling Mounting Plates (G) to the ceiling at a dimension of 1'-1 3/4" (34.9 cm) apart using screws appropriate for the ceiling type.
- 4 Thread a 3'-0" (91.4 cm) length of Suspension Cable with Zinc Ball (F) through the threaded end of a Collar (H) until the Zinc Ball rests in the Collar.



3 Plan View

- 5 Screw the Collar (H) with Suspension Cable (F) onto the Wing Ceiling Mounting Plate (G) until tight.
- 6 Insert the opposite end of the Suspension Cable (F) into the Cable Gripper (E) (6a) and feed through until it exits the hole on the side of the gripper (6b).
- 7 Follow steps 4-6 with the second length of Suspension Cable (F).
- 8 Once both lengths of Suspension Cable (F) are attached to the Panel, make any height adjustments at the Cable Gripper (E). The Cable Gripper is self-locking. To release the Cable, press down on the Spring-Loaded Plunger (I).
- 9 Additional adjustments may be made to level the Panel by turning the threaded collar at the bottom of the Cable Gripper (E) counter-clockwise to loosen and slide it along the Suspension Cable (C) attached to the Panel. When level, tighten the threaded collar by turning clockwise to lock the position.
- 10 Any extra length of Cable may be trimmed. **IMPORTANT:** If cutting off excess Cable, leave at least 1" (2.5 cm) of Cable showing. The Cable Gripper (E) is self-locking so there is no need to crimp the Cable.



Cleaning Instructions

Wool Felt: Like any natural fiber, a minimal approach should always be taken to clean wool felt since the cleaning method could potentially do more harm than the soiling or stain. The cleaning approach should be (1) dust with a lint roller, (2) vacuum with a clean, soft brush, (3) clean with water and mild detergent, and (4) clean with chemical spot remover. **IMPORTANT:** Always test any cleaning method in an inconspicuous area before attempting general cleaning.

Akustika 10: Vacuum occasionally to remove general air-borne debris. Should soiling occur, spot clean with mild soap and lukewarm water.

For complete instructions, refer to the Product Maintenance + Cleaning Guide at filzfelt.com/cleaning-guide.