

ARO Grid 1

Acoustic Ceiling System

filzfelt •



ARO Grid 1 amps up
the geometry of your
average ceiling grid.

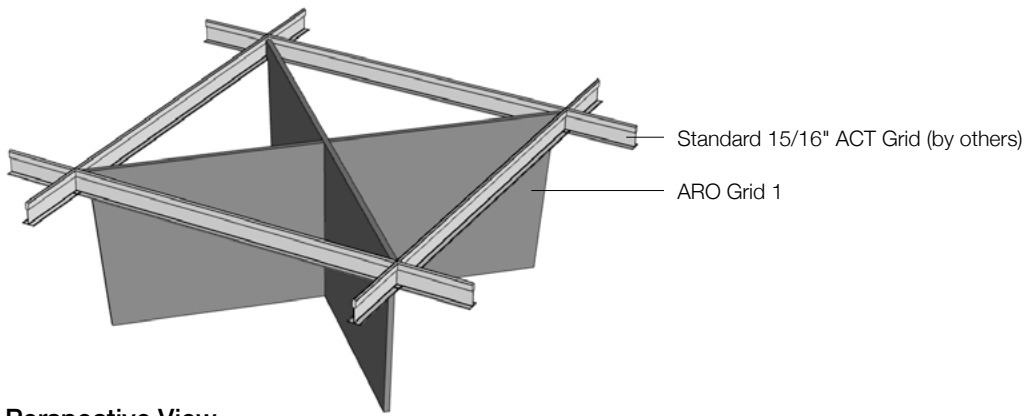
This acoustic ceiling system based on the play of intersections keeps things regular with two planes intersecting at right angles. The angles of ARO Grid 1 activate the ceiling with light and shadow, allowing the ceiling grid to quietly disappear. Play with colors, custom heights, and other ARO Grid designs to create a unique landscape of sound softening pattern across the ceiling.

ARO Grid was designed by Architecture Research Office (ARO), a New York based firm dedicated to architecture that unites beauty and form with strategy and intelligence.

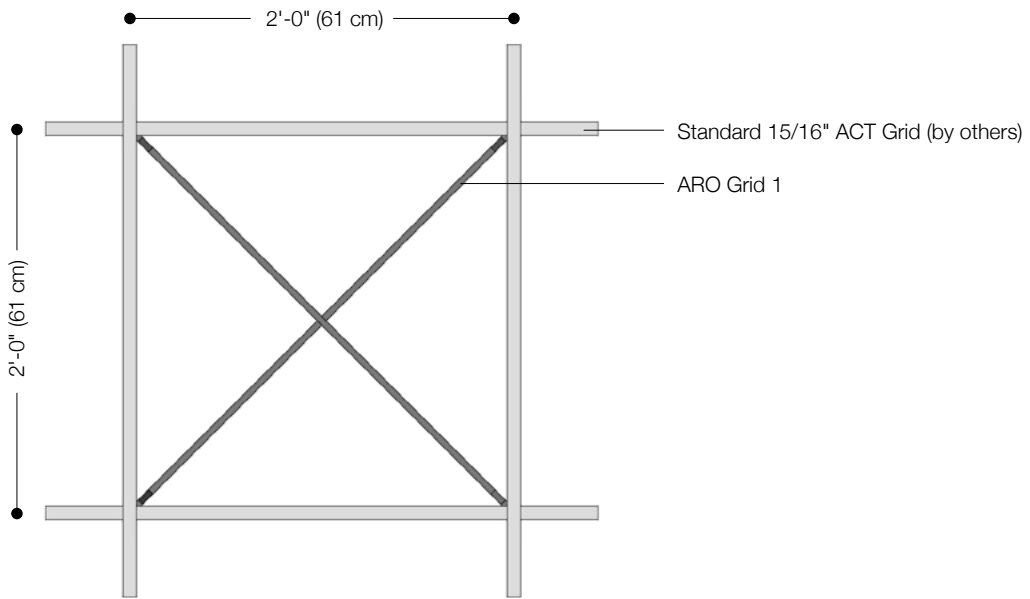


"We strive to convey a sense of calm, warmth, and joy in our product designs as well as through the architecture we design. We take inspiration from both material expression and functionality. We work to elevate spaces through careful attention to detail and use, and to emphasize the responsible use of materials and seek to balance beauty and strategy through design, pattern and texture."

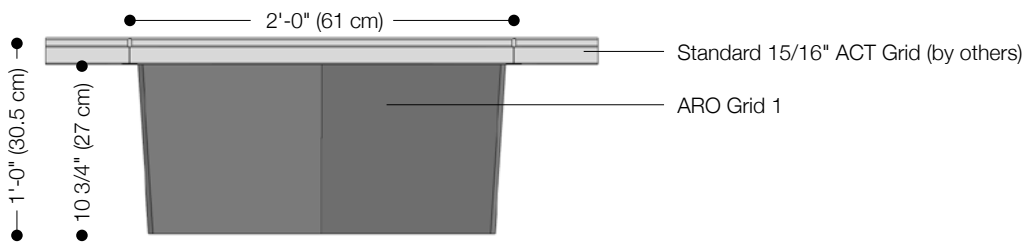
– Architecture Research Office, designers of ARO Grid 1



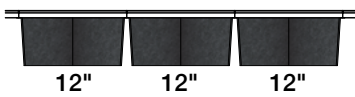
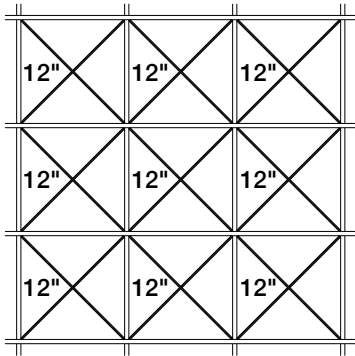
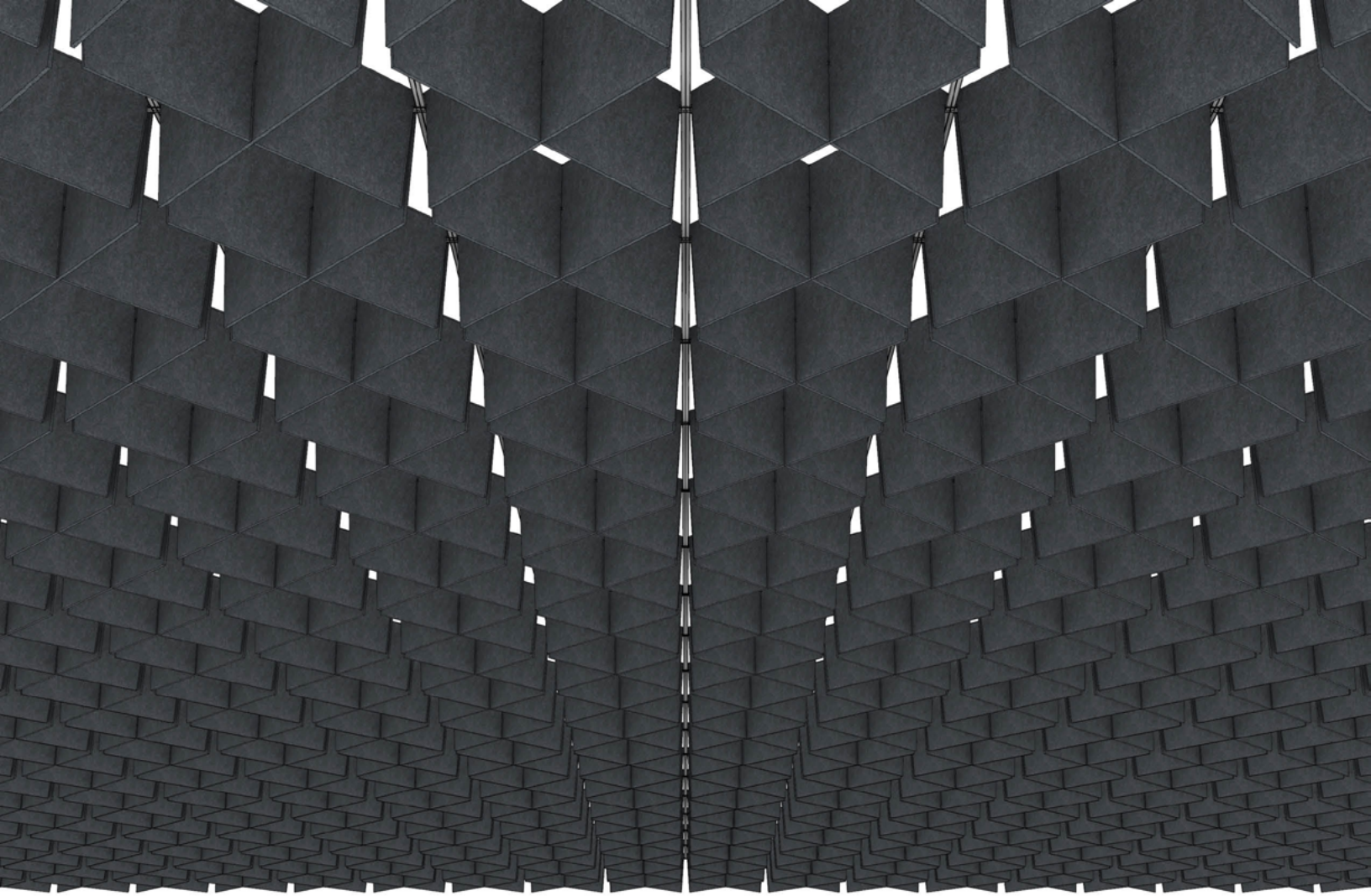
Perspective View
Standard 12" (30.5 cm) Height



Reflected Ceiling Plan



Front Elevation
Standard 12" (30.5 cm) Height

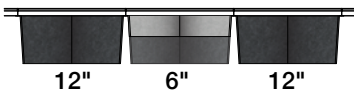
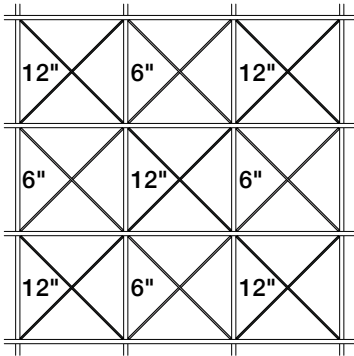
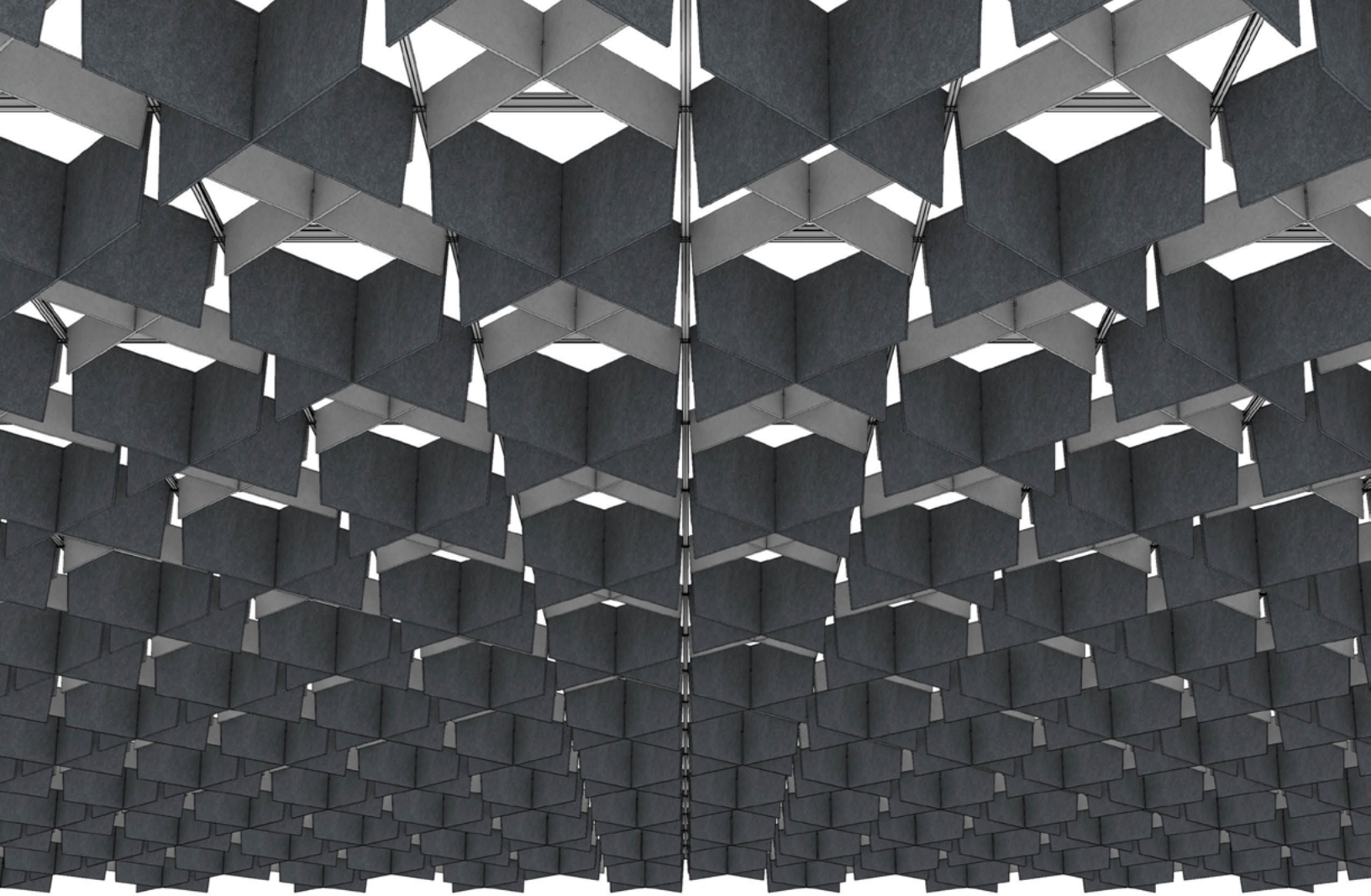


Suggested Pattern 1.1

All 12" (30.5 cm) Height in 1-Color

For all suggested patterns, please refer to the ARO Grid Pattern Book

info@filzfelt.com | filzfelt.com

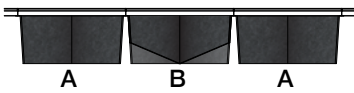
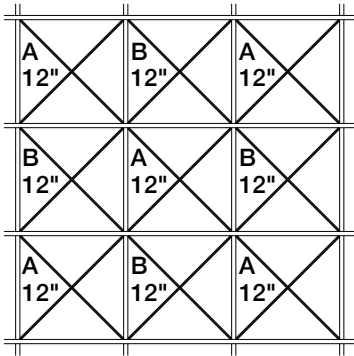
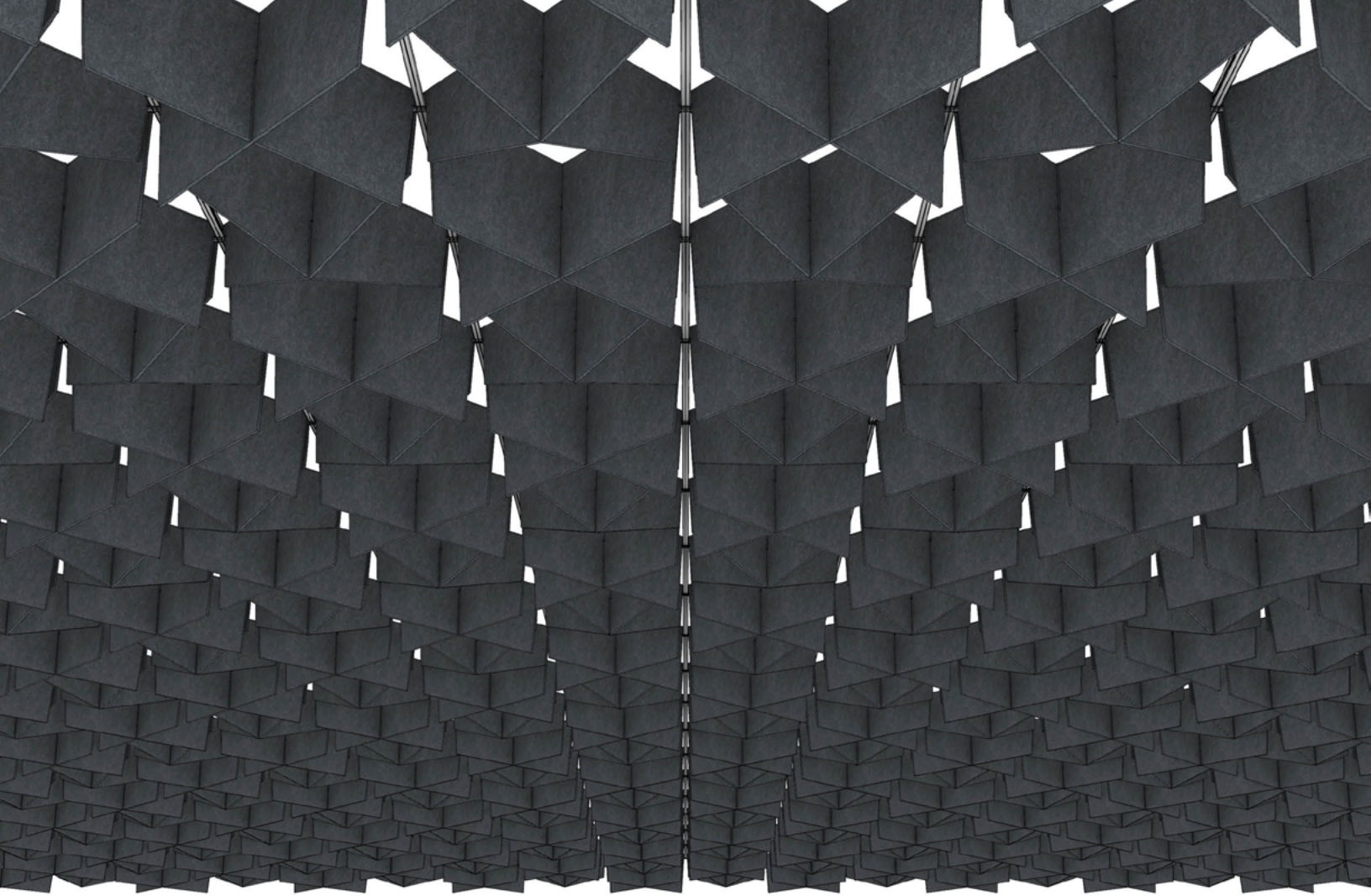


Suggested Pattern 1.5

Alternating 12" (30.5 cm) + 6" (15.2 cm) Heights in 2-Color

For all suggested patterns, please refer to the ARO Grid Pattern Book

info@filzfelt.com | filzfelt.com



Suggested Pattern 12.1

Alternating ARO Grid 1 at 12" (30.5 cm) Height + ARO Grid 2 at 12" (30.5 cm) Height in 1-Color

For all suggested patterns, please refer to the ARO Grid Pattern Book

info@filzfelt.com | **filzfelt.com**

Product	ARO Grid 1
Designer	Architecture Research Office
Content	Akustika 10 (60% post-consumer recycled content)
Standard Size	2'-0" x 2'-0" x 1'-0" (61 x 61 x 30.5 cm)
Color Options	1-Color or 2-Color per ceiling
Open Area	87.9%
Custom	3-Color per ceiling and custom heights between 6 and 11 inches (15.2 x 27.9 cm) are available and must be quoted
Lead Time	Made to order and certain lead times will apply
Installation	Fit in standard 2x2 ACT suspended ceiling grid. Refer to ARO Grid 1 Installation Instructions for complete guidance.
Maintenance	Vacuum occasionally to remove general air-borne debris. Should soiling occur, spot clean with mild soap and lukewarm water.
Variation	Color variation is evidence of the manufacturing process of the material. Product color is only indicative, as it is not possible to assure consistency of color due to the deliberate mixture of colors in the dyed fibers. Color matching cannot be guaranteed on shipments and variation will be more pronounced beyond the normal commercial range.
Environmental	60% post-consumer recycled content, 100% recyclable, contains no formaldehyde, 100% VOC free, no chemical irritants, and free of harmful substances Akustika 10 contributes to LEED® Download Declare Label Living Building Challenge Compliant Oeko-Tex® Standard 100 Certified Product Class II Meets VOC test limits for the CDPH v1.2 method
Acoustics	ASTM C 423: NRC – 0.80, SAA – 0.80
Colorfastness to Light	Class 5 (72 hours)
Flammability	Test reports available upon request

Standard Colors



05 Ice

02 Medium Grey

03 Dark Grey