

# ARO Grid 6 Installation Instructions

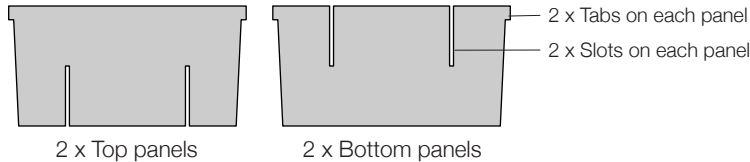
ARO Grid 6 is composed of two panels which ship flat and are assembled on site. These installation recommendations consist of common-sense practices for standard acoustic ceiling tile (ACT) grid products. Installers should rely upon their own professional experience and understanding of their unique requirements to be the best guide to a successful installation.

## Tools Needed

Bar level

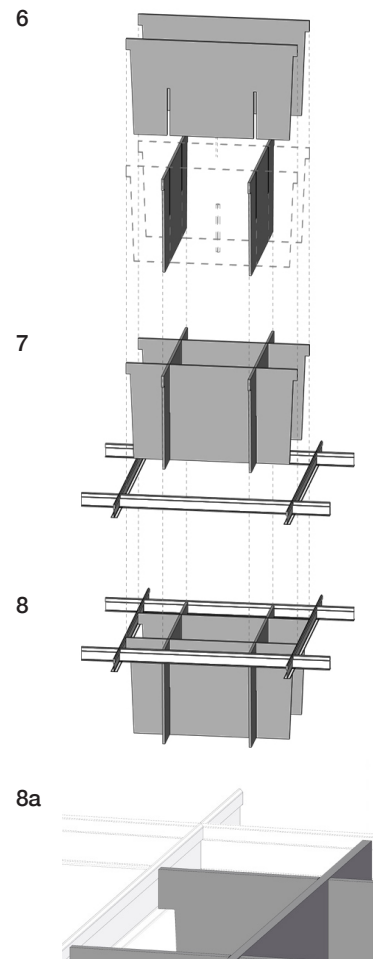
Soft rubber mallet

## Components Provided (per module)



## Installation Instructions

- 1 Handle the panels individually and with clean hands to reduce the possibility of damage during installation.
- 2 Inspect the product. Subtle color and texture variations even within the same panel are a normal aspect of this product. It is advisable to inspect for these irregularities and plan the layout accordingly making sure to evenly disperse any minor color variation. In the case of product defect or damage in transit, FilzFelt must be notified within five (5) business days. FilzFelt cannot accept a return or warranty claim on any product that has been installed.
- 3 Allow components to acclimate to the installation environment. After the shipping crates have been opened, the panels should be laid out individually on the floor for at least forty-eight (48) hours.
- 4 A standard 2x2 15/16" (2.38 cm) acoustic ceiling tile (ACT) exposed tee grid is pre-installed in the space, assembled per manufacturer's instructions (not provided by FilzFelt).
- 5 ARO Grid 6 is available in several colors and may be customized in height. Follow any specifier-provided layout drawings as needed to guide the installation.
- 6 An ARO Grid 6 module is composed of four (4) panels—two (2) top panels and two (2) bottom panels. To assemble, hold the top and bottom panels perpendicularly and align slots. Apply firm pressure and slide the four (4) panels until fully slotted. Check that top edges align. If needed, gentle taps with a soft rubber mallet may be used.
- 7 Thread the assembled module through the open grid, gently pressing on the tabs and tilting as needed to raise all eight (8) tabs above the grid.
- 8 Align tabs orthogonally to the grid, and lower the module to sit on the grid tee. Adjust as needed to center the module. The slight angle of the panel edges will help center the panel. Check that the module is fully seated into place.
- 9 Move along the ceiling grid following the above procedure, making sure that the modules are aligned and level. Continue checking level throughout installation. Repeat until complete.



## Cleaning Instructions

Vacuum occasionally to remove general air-borne debris. Should soiling occur, spot clean with mild soap and lukewarm water.

For complete instructions, refer to the Product Maintenance + Cleaning Guide at [filzfelt.com/cleaning-guide](http://filzfelt.com/cleaning-guide).