

# Crossover Installation Instructions

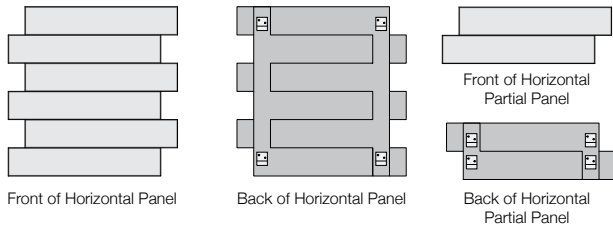
These installation recommendations consist of common-sense practices for installing wall panels and similar products. Installers should rely upon their own professional experience and understanding of their unique requirements to be the best guide to a successful installation. Crossover may be installed horizontally or vertically. This document contains both so be sure to refer to the instructions for the correct orientation of the installation.

## Tools Needed

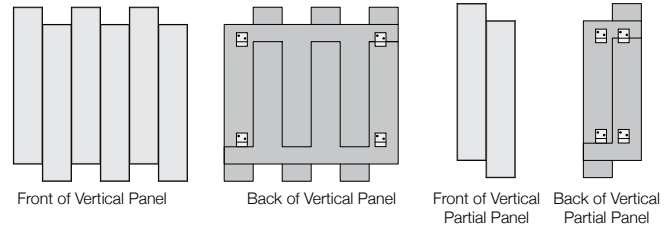
- Bar level or laser level
  - Carpenter's square or long straight edge
  - Chalk line
  - Drill
  - Heavy-duty construction adhesive (such as Liquid Nails LN-903, LN-FRP, and Loctite Express) (for Extension and Device Cut-Out Panels)
  - Miter saw with carbide fine tooth blade
  - Standard caulking gun and 1/8" v-notch trowel (for Extension and Device Cut-Out Panels)
  - Tape measure
  - Utility knife (such as Olfa or similar) with extra blades or Table saw with fine tooth blade (for trimming Panels)
  - Utility knife (such as Olfa or similar) with extra blades or Oscillating multi-tool with fine tooth blade (for device cut-outs)
  - Wall screws appropriate for wall type
  - Weighted roller (for Extension and Device Cut-Out Panels)
- It is recommended that a cleaning solution be available to remove any adhesive that transfers onto the face of the wool felt. Adhesive must be removed with the solution before it has dried.

## Components Provided

Panels with Z-Clips pre-installed (orientation as ordered)



(Refer to Horizontal Installation Instructions on page 2)



(Refer to Vertical Installation Instructions on page 4)

Panel Map (not shown)

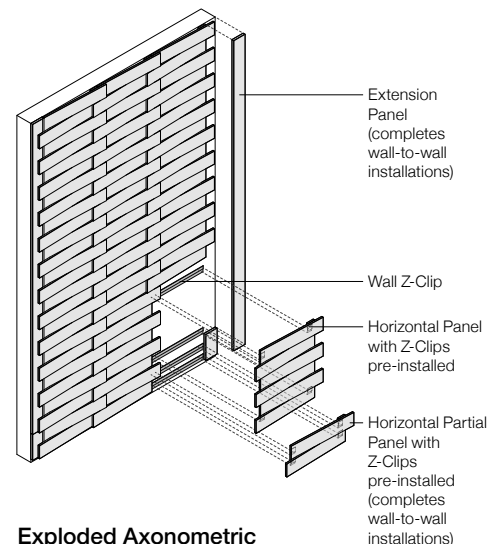
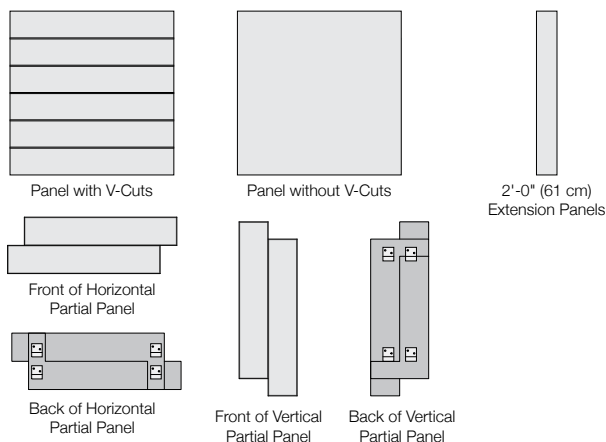
Wall Z-Clips in 6'-0" (1.8 m) lengths (must be cut to size)



Extension Panels (as ordered)



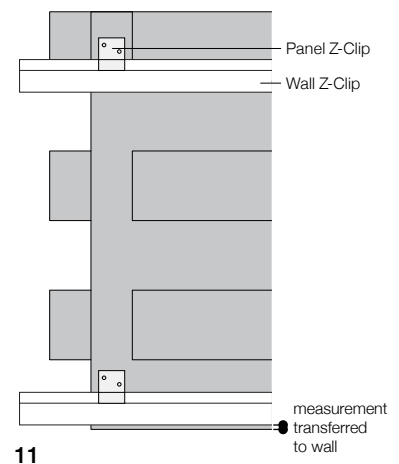
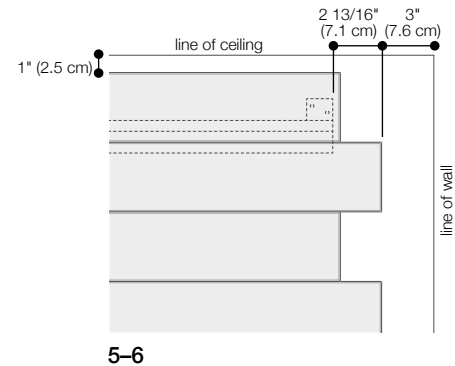
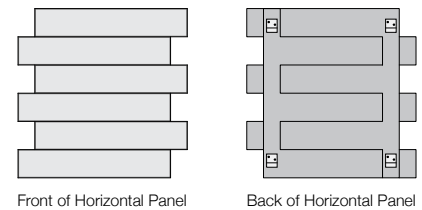
Device Cut-Out Panels (as ordered)



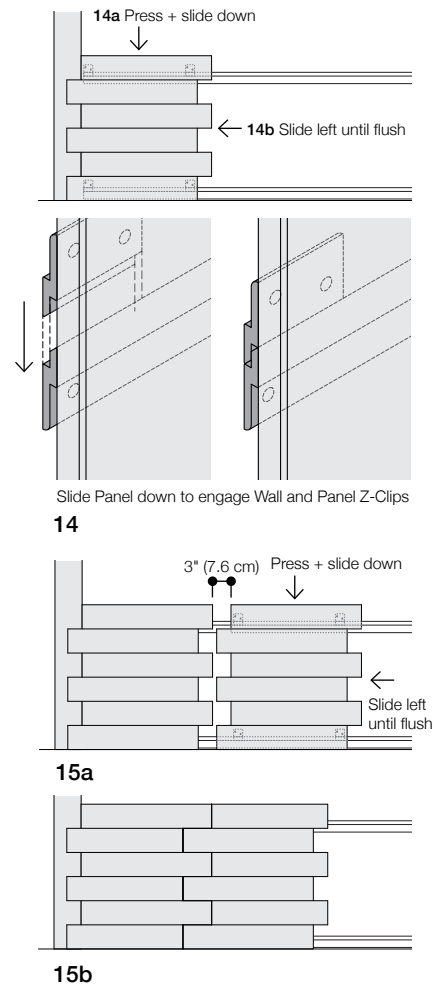
Exploded Axonometric

## Horizontal Panel Orientation Installation Instructions

- 1 Handle the Horizontal Panels keeping the felt faces together and the substrate faces together to reduce the possibility of damage during installation.
- 2 Inspect the product. Subtle color and texture variations even within the same Panel are a normal aspect of this product. It is advisable to inspect for these irregularities and plan the layout accordingly making sure to evenly disperse any minor color variation. In the case of product defect or damage in transit, FilzFelt must be notified within five (5) business days. FilzFelt cannot accept a return or warranty claim on any material that has been installed.
- 3 Allow components to acclimate to the installation environment. After the shipping crates have been opened, the Panels should be laid out individually on the floor for at least forty-eight (48) hours.
- 4 While the Panels are becoming acclimatized, clean the work surface. It should be smooth, dry, and dust-free to allow the best possible installation. A Level 4 Finish wall preparation is sufficient.
- 5 Wall Z-Clips are provided in 6'-0" (1.8 m) sections. Cut Wall Z-Clips with miter saw with carbide fine tooth blade to length as needed to fit the installation width. Hold back all Z-Clips 2 13/16" (7.1 cm) from the edge of an array of Panels to hide the Z-Clips. **IMPORTANT:** All pieces of Z-Clips may be used to complete the installation. DO NOT discard cut pieces of Z-Clips until after the installation is complete.
- 6 The Z-Clip hanging method is much like hanging a picture on the wall. The clips allow the Panels to be easily lifted off or set on the wall. **IMPORTANT:** A clearance of 1" (2.5 cm) from the top of Panels to the ceiling is required to lift and lock Z-Clips. A clearance of 3" (7.6 cm) from the edge of Panels to the side wall is required to slide the last Panel in a row into place.
- 7 Refer to Panel Map to use as a guide for Panel placement and orientation. Plan out the pattern before installing the Panels and make any adjustments to ensure any minor color variation is dispersed throughout the wall.
- 8 Prepare a cleaning solution to remove any adhesive that transfers onto the face of the wool felt. A mild enzyme-based detergent (such as Tide Free) is recommended. Create a dilute solution by adding three (3) parts water to one (1) part detergent in a clean container. To remove adhesive before it has dried, use a clean paper towel to gently blot the detergent into area. Press and release, press and release. Using a separate container of clear water, use clean, moist paper towels to blot more water into the stain. Press and release, press and release. Finish by blotting firmly with clean, dry paper towels until the area is nearly dry. **IMPORTANT:** Adhesive must be removed before dry. Avoid aggressive rubbing, as this can continue the felting process and change the surface appearance of the felt.
- 9 If this order includes left edge or bottom edge Extension Panels, install Extension Panels first. If no Extension Panels, skip to step 11. Extension Panels are provided as ordered and may be scribed to the wall or floor and trimmed on site as needed. To cut custom Extension Panel sizes, use a sharp utility knife and long straight edge or table saw with fine tooth blade. If cutting with a utility knife, make a first pass with light pressure to score the felt. Next, make one to two additional passes using firm pressure and making sure the blade is plumb. **IMPORTANT:** Always use a sharp blade and change blades frequently.
- 10 To install Extension Panels, apply heavy-duty construction adhesive evenly and thoroughly with a trowel or caulking gun to the wall area to be covered by the Extension Panel. Press the Extension Panel into place and apply firm pressure using a weighted roller to ensure good adhesion.
- 11 Start the installation at the bottom left of the wall. Place a Crossover Panel on a clean surface with the back facing up, lay each Wall Z-Clip into the Panel Z-Clips. Measure from the bottom of the Panel to the bottom edge of the Wall Z-Clip. Transfer this measurement to the wall, measuring from the finished floor or overall level line. **IMPORTANT:** Z-Clips must always be held back 2 13/16" (7.1 cm) from left and right edges of the installed Crossover array to hide the Z-Clips.
- 12 Set laser level or snap chalk lines on wall at the measured height and ensure it is level.



- 13 Align bottom of Wall Z-Clips to laser level or chalk line and attach to wall with appropriate wall screws (not included). If Panels are not sliding easily along Wall Z-Clips during installation, loosen by backing the screw off half a rotation.  
**IMPORTANT:** It is recommended to screw into studs, blocking, or use appropriate anchors.
- 14 Starting with the bottom left Crossover Panel, place Panel on wall at least 3/4" (1.9 cm) higher than the Wall Z-Clip and press firmly against wall. Slide Panel down to engage Z-Clips (14a). Check to be sure all Z-Clips are engaged. Slide left until back of Crossover Panel is flush with Extension Panel and cannot move further (14b).
- 15 To install next Crossover Panel, hold Panel about 3" (7.6 cm) to the right of the existing Panel. Slide Panel down to engage Z-Clips (15a). Check to be sure all Z-Clips are engaged. Press Panels together until they overlap tightly (15b). Ensure Panels are flush. Continue placing Panels on the Z-Clips and sliding them together to complete the row.
- 16 If this order includes right edge Extension Panels, measure and scribe the Panel to meet site conditions. Install as described in step 10.
- 17 Moving up the wall, repeat steps 11–15 until the top row.
- 18 Device Cut-Out Panels are installed as you go along a row. To cut custom Device Cut-Out Panel sizes, use a sharp utility knife and long straight edge or table saw with fine tooth blade. If cutting with a utility knife, make a first pass with light pressure to score the felt. Next, make one to two additional passes using firm pressure and making sure the blade is plumb. **IMPORTANT:** Always use a sharp blade and change blades frequently.
- 19 To install Device Cut-Out Panels, apply adhesive directly to the wall area to be covered by the Panel using a 1/8" v-notch trowel. Apply firm pressure using a weighted roller to ensure good adhesion. Installation of this product using caulking guns is not recommended as an uneven adhesive application could telegraph through the Panel.
- 20 To install the top row, install the Wall Z-Clips using steps 11–15. If this order includes top edge Extension Panels, measure and scribe the Panel to meet site conditions. Install as described in step 10.



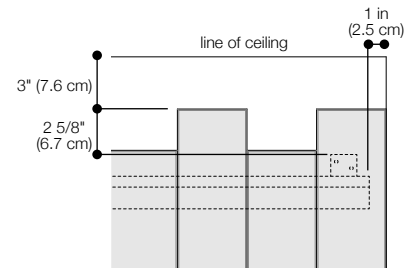
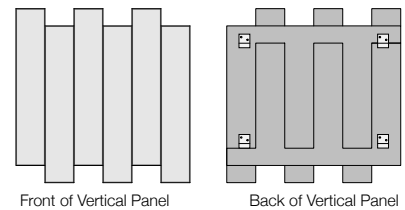
## Cleaning Instructions

Like any natural fiber, a minimal approach should always be taken to clean wool felt since the cleaning method could potentially do more harm than the soiling or stain. The cleaning approach should be (1) dust with a lint roller, (2) vacuum with a clean, soft brush, (3) clean with water and mild detergent, and (4) clean with chemical spot remover. **IMPORTANT:** Always test any cleaning method in an inconspicuous area before attempting general cleaning.

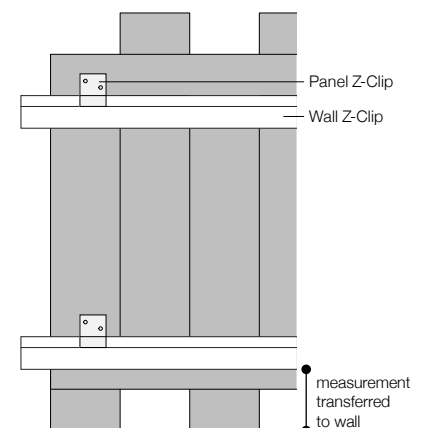
For complete instructions, refer to the Product Maintenance + Cleaning Guide at [filzfelt.com/cleaning-guide](http://filzfelt.com/cleaning-guide).

## Vertical Panel Orientation Instructions

- 1 Handle the Vertical Panels keeping the felt faces together and the substrate faces together to reduce the possibility of damage during installation.
- 2 Inspect the product. Subtle color and texture variations even within the same Panel are a normal aspect of this product. It is advisable to inspect for these irregularities and plan the layout accordingly making sure to evenly disperse any minor color variation. In the case of product defect or damage in transit, FilzFelt must be notified within five (5) business days. FilzFelt cannot accept a return or warranty claim on any material that has been installed.
- 3 Allow components to acclimate to the installation environment. After the shipping crates have been opened, the Panels should be laid out individually on the floor for at least forty-eight (48) hours.
- 4 While the Panels are becoming acclimatized, clean the work surface. It should be smooth, dry, and dust-free to allow the best possible installation. A Level 4 Finish wall preparation is sufficient.
- 5 Wall Z-Clips are provided in 6'-0" (1.8 m) sections. Cut Wall Z-Clips with miter saw with carbide fine tooth blade to length as needed to fit the installation width. Hold back all Z-Clips 1" (2.5 cm) from the edge of an array of Panels to hide the Z-Clips. **IMPORTANT:** All pieces of Z-Clips may be used to complete the installation. DO NOT discard cut pieces of Z-Clips until after the installation is complete.
- 6 The Z-Clip hanging method is much like hanging a picture on the wall. The clips allow the Panels to be easily lifted off or set on the wall. **IMPORTANT:** A clearance of 3" (1.6 cm) from the top of Panels to the ceiling is required to lift and lock Z-Clips.
- 7 Refer to Panel Map to use as a guide for Panel placement and orientation. Plan out the pattern before installing the Panels and make any adjustments to ensure any minor color variation is dispersed throughout the wall.
- 8 Prepare a cleaning solution to remove any adhesive that transfers onto the face of the wool felt. A mild enzyme-based detergent (such as Tide Free) is recommended. Create a dilute solution by adding three (3) parts water to one (1) part detergent in a clean container. To remove adhesive before it has dried, use a clean paper towel to gently blot the detergent into area. Press and release, press and release. Using a separate container of clear water, use clean, moist paper towels to blot more water into the stain. Press and release, press and release. Finish by blotting firmly with clean, dry paper towels until the area is nearly dry. **IMPORTANT:** Adhesive must be removed before dry. Avoid aggressive rubbing, as this can continue the felting process and change the surface appearance of the felt.
- 9 If this order includes left edge or bottom edge Extension Panels, install first. If no Extension Panels, skip to step 11. Extension Panels are provided as ordered and may be scribed to the wall or floor and trimmed on site as needed. To cut custom Extension Panel sizes, use a sharp utility knife and long straight edge or table saw with fine tooth blade. If cutting with a utility knife, make a first pass with light pressure to score the felt. Next, make one to two additional passes using firm pressure and making sure the blade is plumb. **IMPORTANT:** Always use a sharp blade and change blades frequently.
- 10 To install Extension Panels, apply heavy-duty construction adhesive evenly and thoroughly with a trowel or caulking gun to the wall area to be covered by the Panel. Press the Extension Panel into place and apply firm pressure using a weighted roller to ensure good adhesion.
- 11 Start installation at the bottom left of the wall. While Crossover Panel is on the floor with the back side of Panel facing up, lay the Wall Z-Clips into the Panel Z-Clips. Determine the location of Wall Z-Clips by first placing the Wall Z-Clip into the Panel Z-Clip. Measure from the base of the Crossover Panel to the bottom edge of the Wall Z-Clip. Transfer this measurement to the wall, measuring from the finished floor or overall level line. **IMPORTANT:** Z-Clips must always be held back 1" (2.5 cm) from left and right edges of the installed Crossover array to hide the Z-Clips.
- 12 Set laser level or snap chalk lines on wall at the measured height and ensure it is level.

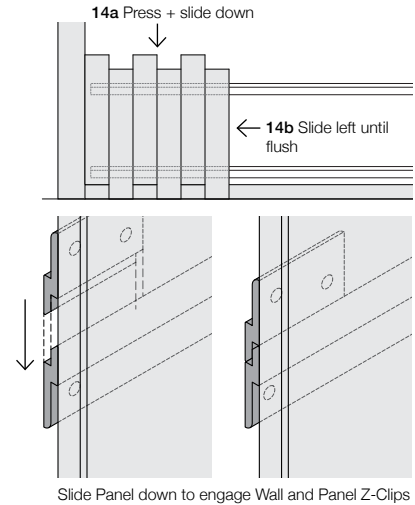


5-6



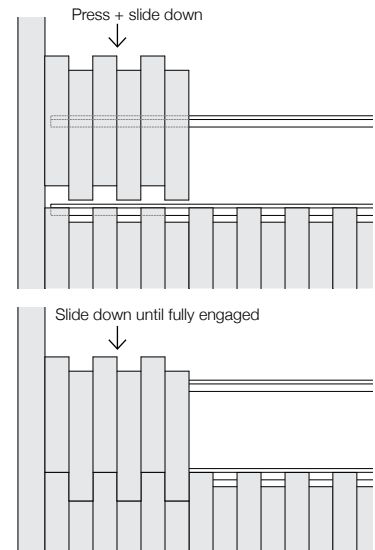
11

- 13 Align bottom of Wall Z-Clips to laser level or chalk line and attach to wall with appropriate wall screws (not included). If Panels are not sliding easily along Wall Z-Clips during installation, loosen by backing the screw off half a rotation.  
**IMPORTANT:** It is recommended to screw into studs, blocking, or use appropriate anchors.
- 14 Starting with the bottom left Crossover Panel, place Panel on wall at least 3/4" (1.9 cm) higher than Wall Z-Clip and press firmly against wall. Slide Panel down to engage Z-Clips (14a). Check to be sure all Z-Clips are engaged. Slide left until back of Crossover Panel is flush with Extension Panel and cannot move further (14b).
- 15 To install next Crossover Panel, place Panel on wall at least 3/4" (1.9 cm) higher than desired height and press firmly against wall. Slide Panel down to engage Z-Clips. Check to be sure all Z-Clips are engaged and slide left until flush with the adjacent Panel. Continue installing Panels to complete the row.
- 16 If this order includes right edge Extension Panels, measure and scribe the Panel to meet site conditions. Install as described in step 10.
- 17 Moving up the wall, align the Panel with the installed Panel below. Place Panel on wall at least 3/4" (1.9 cm) higher than Wall Z-Clip and press firmly against wall. Slide Panel down to engage the Panels as well as the Z-Clips. Check to be sure all Z-Clips are engaged and Panels are saligned properly. Repeat steps 11–15 until the top row.
- 18 Device Cut-Out Panels are installed as you go along a row. To cut custom Device Cut-Out Panel sizes, use a sharp utility knife and long straight edge or table saw with fine tooth blade. If cutting with a utility knife, make a first pass with light pressure to score the felt. Next, make one to two additional passes using firm pressure and making sure the blade is plumb. **IMPORTANT:** Always use a sharp blade and change blades frequently.
- 19 To install Device Cut-Out Panels, apply adhesive directly to the wall area to be covered by the Panel using a 1/8" v-notch trowel. Apply firm pressure using a weighted roller to ensure good adhesion. Installation of this product using caulking guns is not recommended as an uneven adhesive application could telegraph through the Panel.
- 20 To install the top row, install the Wall Z-Clips using steps 11–15. If this order includes top edge Extension Panels, measure and scribe the Panel to meet site conditions. Install as described in step 10.



Slide Panel down to engage Wall and Panel Z-Clips

14–15



17

## Cleaning Instructions

Like any natural fiber, a minimal approach should always be taken to clean wool felt since the cleaning method could potentially do more harm than the soiling or stain. The cleaning approach should be (1) dust with a lint roller, (2) vacuum with a clean, soft brush, (3) clean with water and mild detergent, and (4) clean with chemical spot remover. **IMPORTANT:** Always test any cleaning method in an inconspicuous area before attempting general cleaning.

For complete instructions, refer to the Product Maintenance + Cleaning Guide at [filzfelt.com/cleaning-guide](http://filzfelt.com/cleaning-guide).