

Current with Suspension Cable Installation Instructions

These installation recommendations consist of common-sense practices for installing baffles and similar products. Installers should rely upon their own professional experience and understanding of their unique requirements to be the best guide to a successful installation.

Tools Needed

Ceiling screws appropriate for ceiling type (if using ceiling attachment hardware)

Crescent wrench

Ladder

Laser or string line level

Wire cutter

Components Provided

- A Panel(s) with C-Channels (G)
- B 12 x Cable Grippers (male) per panel
- C 12 x 3'-0" (91.4 cm) lengths of Suspension Cable per panel
- D 12 x Ceiling Mounting Plates per panel (as ordered)
- E 1 x Cable Gripper (female) per Ceiling Mounting Plate
- F 12 x Square Nuts

Installation Instructions

- 1 Inspect the panels. In the case of product defect or damage in transit, FilzFelt must be notified within five (5) business days. FilzFelt cannot accept a return or warranty claim on any product that has been installed.
- 2 Each panel includes (4) C-Channel (G) that run the length of the panel with three (3) Square Nuts (F) per C-Channel—one (1) for each suspension point. Screw a male Cable Gripper (B) into a square nut and then slide to the appropriate position in the channel. To lock the cable gripper in position, twist the gripper into the nut until it locks in position and no longer slides freely.
- 3 Insert a length of Suspension Cable (C) into the Cable Gripper (B) (3a) and feed through until it exits the hole on the side of the gripper (3b). The gripper is self-locking. To release the cable, press down on the Spring-Loaded Plunger (H).
- 4 Repeat steps 2-3 with the remaining Cable Grippers (B).
- 5 If no ceiling attachment hardware is ordered with the panels, skip to step 10.
- 6 **For Ceiling Mounting Plate (D):** Fasten a Ceiling Mounting Plate to the ceiling using screws appropriate for the ceiling type. Screw a female Cable Gripper (E) onto the plate until tight.
- 7 Raise the panel to within 3'-0" (91.4 cm) of the Ceiling Mounting Plate (D) and insert a length of Suspension Cable (C) into the Cable Gripper (E) (7a) and feed the cable through until it exits the hole on the side of the gripper (7b). The gripper is self-locking. To release the cable, press down on the Spring-Loaded Plunger (I).

IMPORTANT: Do not trim the cable until the baffles have been leveled and adjusted.

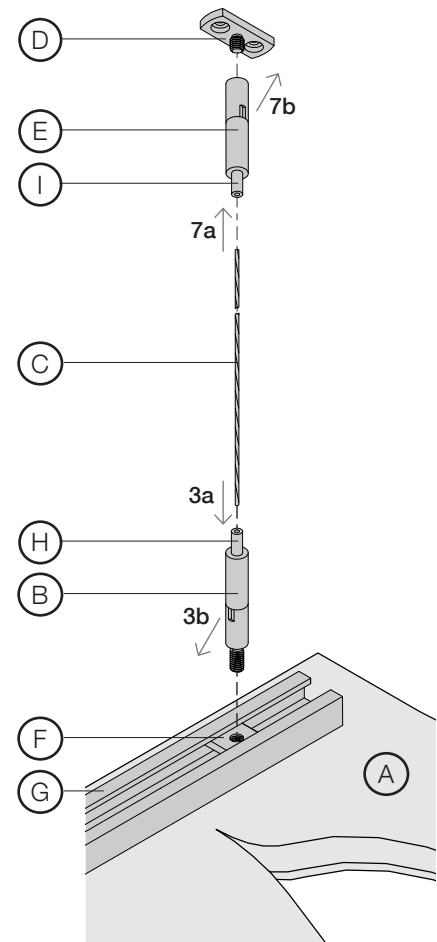
- 8 Repeat steps 6–7 with the remaining ceiling attachment hardware.

- 9 Install remaining panels following the previous steps.

- 10 The panels should be leveled and adjusted using a laser or string line level. Adjust the Suspension Cable (C) lengths by pressing down on the Spring-Loaded Plunger (H + I) on each Cable Gripper (B + E) and feed more or less cable through.

- 11 Any extra Suspension Cable (C) may be laid in the C-Channel (G) or trimmed.

IMPORTANT: If cutting off excess cable, leave at least 1" (2.5 cm) of cable showing. The Cable Gripper (B + E) is self-locking so there is no need to crimp the cable.



Cleaning Instructions

Like any natural fiber, a minimal approach should always be taken to clean wool felt since the cleaning method could potentially do more harm than the soiling or stain. The cleaning approach should be (1) dust with a lint roller, (2) vacuum with a clean, soft brush, (3) clean with water and mild detergent, and (4) clean with chemical spot remover. **IMPORTANT:** Always test any cleaning method in an inconspicuous area before attempting general cleaning.

For complete instructions, refer to the Product Maintenance + Cleaning Guide at filzfelt.com/cleaning-guide.

Current with Suspension Rod Installation Instructions

These installation recommendations consist of common-sense practices for installing baffles and similar products. Installers should rely upon their own professional experience and understanding of their unique requirements to be the best guide to a successful installation.

Tools Needed

Ladder

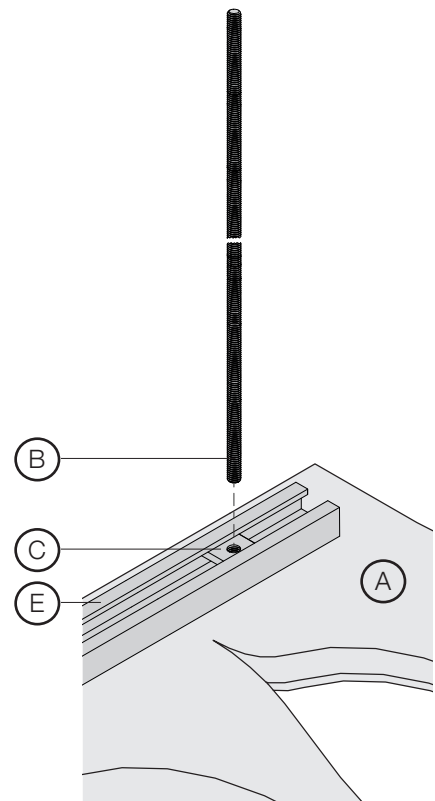
Laser or string line level

Components Provided

- A Panel(s) with C-Channels (E)
- B 12 x 3'-0" (91.4 cm) lengths of Suspension Rod per panel (unless otherwise ordered)
- C 12 x Square Nuts
- D 12 x 6mm Coupling Nuts (if Suspension Rod length is greater than 3'-0" (91.4 cm))

Installation Instructions

- 1 Inspect the panels. In the case of product defect or damage in transit, FilzFelt must be notified within five (5) business days. FilzFelt cannot accept a return or warranty claim on any product that has been installed.
- 2 Each panel includes a four (4) C-Channel (E) running the length of the panel with three (3) Square Nuts (C) per C-Channel—one (1) at each suspension point.
- 3 The Suspension Rod (B) and Square Nut (C) are threaded. Screw a rod into each square nut and slide to appropriate suspension point position. To lock the rod in position, twist the rod into the nut until it locks in position and no longer slides freely.
- 4 Repeat step 3 with the remaining Suspension Rods (B).
- 5 The Suspension Rods (B) are 6mm in diameter and should be secured to the ceiling or other support using an appropriate method.
- 6 Multiple lengths of Suspension Rods (B) may be joined with 6mm Coupling Nuts (D).
- 7 The baffles should be leveled and adjusted using a laser or string level. Adjust the Suspension Rod (B) length as needed at the ceiling attachment point.



Cleaning Instructions

Like any natural fiber, a minimal approach should always be taken to clean wool felt since the cleaning method could potentially do more harm than the soiling or stain. The cleaning approach should be (1) dust with a lint roller, (2) vacuum with a clean, soft brush, (3) clean with water and mild detergent, and (4) clean with chemical spot remover. **IMPORTANT:** Always test any cleaning method in an inconspicuous area before attempting general cleaning.

For complete instructions, refer to the Product Maintenance + Cleaning Guide at filzfelt.com/cleaning-guide.