

# ARO Baffle V2 with Suspension Cable Installation Instructions

These installation recommendations consist of common-sense practices for installing baffles and similar products. Installers should rely upon their own professional experience and understanding of their unique requirements to be the best guide to a successful installation.

## Tools Needed

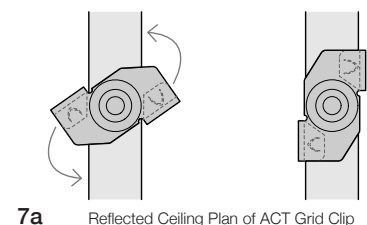
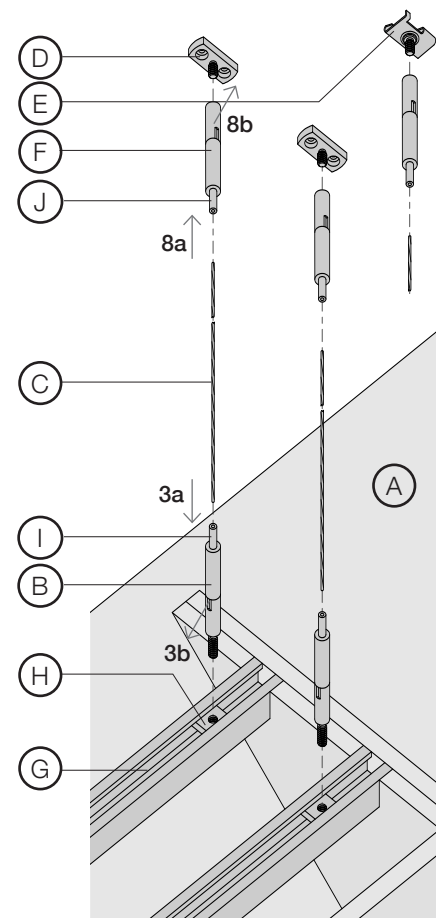
- Ladder
- Wire cutter
- Crescent wrench
- Laser or string level
- Ceiling screws appropriate for ceiling type (if using ceiling attachment hardware)

## Components Provided

- A Baffle(s) with C-Channels and Square Nuts
- B 4 x Cable Grippers (male) per baffle
- C 4 x 3'-0" (91.4 cm) lengths of Suspension Cable per baffle
- D 4 x Ceiling Mounting Plates per baffle (as ordered)
- E 4 x ACT Grid Clips per baffle (as ordered)
- F 1 x Cable Gripper (female) per Ceiling Mounting Plate or ACT Grid Clip (as ordered)

## Installation Instructions

- 1 Inspect the baffles. In the case of product defect or damage in transit, FilzFelt must be notified within five (5) business days. FilzFelt cannot accept a return or warranty claim on any product that has been installed.
- 2 Each baffle includes two (2) C-Channels (G) along the top with two (2) Square Nuts (H) per c-channel—one (1) for each suspension point. Screw a male Cable Gripper (B) into a square nut and then slide to the appropriate position in the channel. To lock the cable gripper in position, twist the gripper into the nut until it locks in position and no longer slides freely.
- 3 Insert a length of Suspension Cable (C) into the Cable Gripper (B) (3a) and feed through until it exits the hole on the side of the gripper (3b). The gripper is self-locking. To release the cable, press down on the Spring-Loaded Plunger (I).
- 4 Any extra length of cable may be laid into the C-Channel (G) to allow for future adjustment. **IMPORTANT:** If cutting off excess cable, leave at least 1" (2.5 cm) of cable showing. The Cable Gripper (B) is self-locking so there is no need to crimp the cable.
- 5 Repeat steps 3-4 with the remaining Cable Grippers (B).
- 6 If no ceiling attachment hardware is ordered with the baffles, skip to step 10.
- 7 **For Ceiling Mounting Plate (D):** Fasten a Ceiling Mounting Plate to the ceiling using screws appropriate for the ceiling type. Screw a female Cable Gripper (F) onto the plate until tight.  
**For ACT Grid Clip (E):** The clip include tabs that attach to standard ACT (acoustic ceiling tile) ceiling grid in 9/16" (1.4 cm) or 15/16" (2.4 cm) grid sizes. To install the ACT Grid Clip, first screw a female Cable Gripper (F) onto the clip until tight. Next, lift the ACT Grid Clip with Cable Gripper to the ACT ceiling grid with the tabs on either side of the grid, press the clip against the grid, and twist to secure the tabs on the grid. (7a)
- 8 Raise the baffle to within 3'-0" (91.4 cm) of the Ceiling Mounting Plate (D) or ACT Grid Clip (E) and insert a length of Suspension Cable (C) into the Cable Gripper (F) (8a) and feed the cable through until it exits the hole on the side of the gripper (8b). The gripper is self-locking. To release the cable, press down on the Spring-Loaded Plunger (J). **IMPORTANT:** Do not trim the cable until the baffles have been leveled and adjusted.



- 9 Repeat steps 7-8 with the remaining ceiling attachment hardware.
- 10 Install remaining baffles following the previous steps.
- 11 The baffles should be leveled and adjusted using a laser or string level. Adjust the Suspension Cable (C) lengths by pressing down on the Spring-Loaded Plunger (I) on each Cable Gripper (B) and feed more or less cable through.
- 12 Any extra Suspension Cable (C) may be laid in the C-Channel (G) or trimmed.  
**IMPORTANT:** If cutting off excess cable, leave at least 1" (2.5 cm) of cable showing. The Cable Gripper (B) is self-locking so there is no need to crimp the cable.

## Cleaning Instructions

---

Like any natural fiber, a minimal approach should always be taken to clean wool felt since the cleaning method could potentially do more damage than the stain. The cleaning approach should be (1) dust with a lint roller, (2) vacuum with a clean, soft brush, (3) clean with water and mild detergent, (4) clean with chemical spot remover. **Always test any cleaning method first in an inconspicuous area.**

Wool has a low degree of dry soil pick-up compared with other fibers. However, to remove the accumulation of general airborne debris, wool felt may be cleaned with a standard masking tape lint roller. It is always a good idea to use the lint roller first in any area intended to be spot cleaned. Once per year, it is recommended that the entire surface is given a light vacuum with a clean, soft horsehair upholstery brush. In a clean office environment, it may not be necessary to do this annually. Please note that slight shedding of wool fibers is normal and not indicative of any defect. These loosened fibers are easily vacuumed away and will decrease over time.

If a wet spill should occur, blot up the liquid as soon as possible with a dry cloth to avoid absorption. Avoid aggressive rubbing as this can continue the felting process and change the surface appearance of the felt. For removal of minor stains, if the felt can be removed it is best to obtain the services of a professional dry cleaning company that is familiar with the special care of wool. If not possible, a mild enzyme-based detergent (such as Tide Free) is recommended. Create a dilute solution by adding three parts water to one part detergent in a clean container. Use a clean paper towel to gently blot the detergent into the stain. Press and release, press and release. Using a separate container of just clear water, use clean, moist paper towels to blot more water into the stain. Press and release, press and release. Finish by blotting firmly with clean, dry paper towels until the area is nearly dry.