

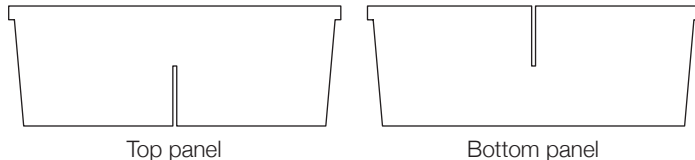
ARO Grid 1 Installation Instructions

ARO Grid 1 is composed of two panels which are shipped flat and assembled on site. These installation recommendations consist of common-sense practices for standard ACT grid products. Installers should rely upon their own professional experience and understanding of their unique requirements to be the best guide to a successful installation.

Tools Needed

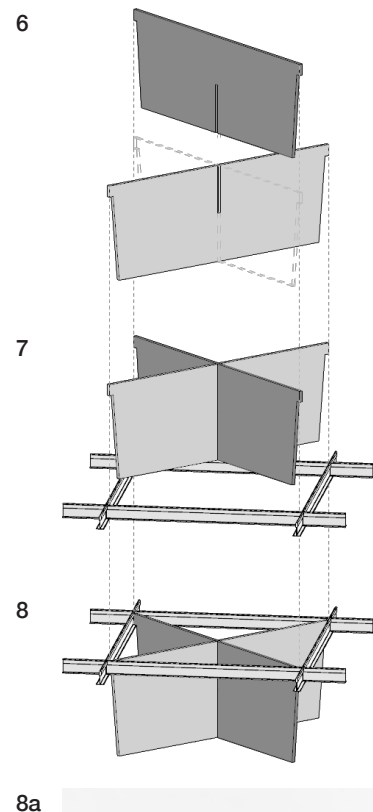
- 1 Bar level
- 2 Soft rubber mallet (as needed)

Components Provided



Installation Instructions

- 1 Handle the panels individually and with clean hands to reduce the possibility of damage during installation.
- 2 Inspect the material. Subtle color and texture variations even within the same panel are a normal aspect of this product. It is advisable to inspect for these irregularities and plan the layout accordingly making sure to evenly disperse any minor color variation. In the case of product defect or damage in transit, FilzFelt must be notified within five (5) business days. Please note that FilzFelt cannot accept a return or warranty claim on any material that has been installed.
- 3 Allow components to acclimate to the installation environment. After the shipping crates have been opened, the panels should be laid out individually on the floor for at least forty-eight (48) hours.
- 4 A standard 15/16" (2.38 cm) acoustic ceiling tile (ACT) exposed tee grid is pre-installed in the space, assembled per manufacturer's instructions (not provided by FilzFelt).
- 5 ARO Grid 1 can be customized in height and can come in several colors. Follow any client provided layout drawings as needed to guide the installation.
- 6 ARO Grid 1 is composed of two (2) panels that ship flat. To assemble, hold the top and bottom panels perpendicularly and align slots. Apply firm pressure, slide the two (2) panels until fully slotted. Check if top edges align. If needed, gentle taps with a soft rubber mallet can be used.
- 7 Thread ARO Grid 1 through the open grid, pressing on the flaps and tilting as needed to raise all four (4) edge tabs above the grid.
- 8 Align tabs with corners, and lower ARO Grid 1 to sit on the grid tee. Adjust as needed to center ARO Grid 1. The slight angle of the panel edges will help center the panel. Check ARO Grid 1 is fully seated into place.
- 9 Move along the ceiling grid following the above procedure, making sure that the panels are aligned and level. Continue checking level throughout installation. Repeat until complete.



Cleaning Instructions

Vacuum occasionally to remove general air-borne debris. Should soiling occur, spot clean with mild soap and lukewarm water.