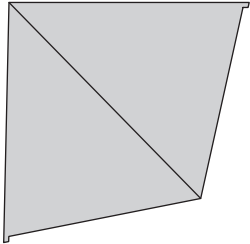


ARO Grid 4 Installation Instructions

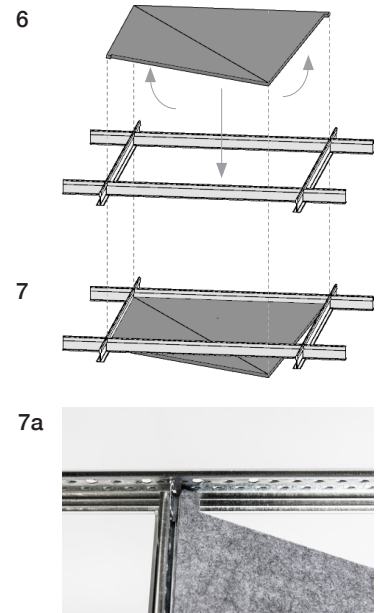
ARO Grid 4 is composed of one panel which is shipped flat and folded on site. These installation recommendations consist of common-sense practices for standard acoustic ceiling tile (ACT) grid products. Installers should rely upon their own professional experience and understanding of their unique requirements to be the best guide to a successful installation.

Components Provided



Installation Instructions

- 1 Handle the panels individually and with clean hands to reduce the possibility of damage during installation.
- 2 Inspect the product. Subtle color and texture variations even within the same panel are a normal aspect of this product. It is advisable to inspect for these irregularities and plan the layout accordingly making sure to evenly disperse any minor color variation. In the case of product defect or damage in transit, FilzFelt must be notified within five (5) business days. FilzFelt cannot accept a return or warranty claim on any product that has been installed.
- 3 Allow components to acclimate to the installation environment. After the shipping crates have been opened, the panels should be laid out individually on the floor for at least forty-eight (48) hours.
- 4 A standard 15/16" (2.38 cm) acoustic ceiling tile (ACT) exposed tee grid is pre-installed in the space, assembled per manufacturer's instructions (not provided by FilzFelt).
- 5 ARO Grid 4 is available in several colors and can be installed rotated in four (4) directions. Follow any client provided layout drawings as needed to guide the installation.
- 6 ARO Grid 4 is composed of one (1) panel that ships flat. The panel has tabs and two (2) sides of the module that are seated on the grid tee. Hold the panel so the v-groove faces towards the ceiling, and the two (2) sides faced towards the corner it will be seated on. Apply enough pressure to the sides to fold the panel sides into a v-shape.
- 7 Thread ARO Grid 4 through the open grid, pressing on the flaps firmly and tilting as needed to raise the tabs and two (2) sides of the module above the grid. Align tabs with corners, and lower ARO Grid 4 to sit on the grid tee. The flaps will spring back slightly to pressure fit against the grid tee. The cantilevered section will drop below the ACT grid $\pm 4"$ (± 10.2 cm). Adjust as needed to center and check to see if ARO Grid 4 is fully seated into place.
- 8 Move along the ceiling grid following the above procedure, making sure that the panels are aligned and level. Continue checking level throughout installation. Repeat until complete.



Cleaning Instructions

Vacuum occasionally to remove general air-borne debris. Should soiling occur, spot clean with mild soap and lukewarm water.

For complete instructions, refer to the Product Maintenance + Cleaning Guide at filzfelt.com/cleaning-guide.