

# Baffle with Suspension Rod Installation Instructions

Akustika 10 Baffle, Akustika 25 Baffle, ARO Baffle 1

These installation recommendations consist of common-sense practices for installing baffles and similar products. Installers should rely upon their own professional experience and understanding of their unique requirements to be the best guide to a successful installation.

## Tools Needed

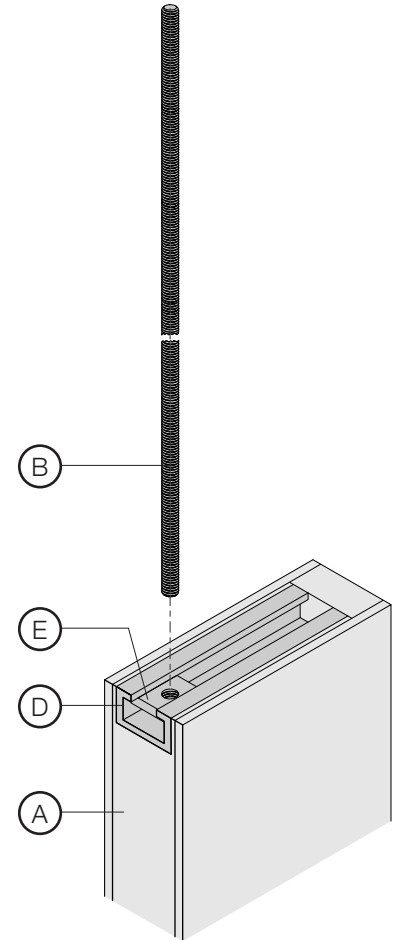
Ladder  
Laser or string level

## Components Provided

- A** Baffle(s) with c-channel and square nuts
- B** 2 x 3'-0" (91.4 cm) lengths of Suspension Rod per baffle (unless otherwise ordered)
- C** 2 x 6mm Coupling Nuts (if Suspension Rod length is greater than 3'-0" (91.4 cm))

## Installation Instructions

- 1 Inspect the baffles. In the case of product defect or damage in transit, FilzFelt must be notified within five (5) business days. FilzFelt cannot accept a return or warranty claim on any product that has been installed.
- 2 Each baffle includes a C-Channel (D) in the top with two (2) Square Nuts (E)—one (1) at each suspension point.
- 3 The Suspension Rod (B) and Square Nut (E) are threaded. Screw a rod into each square nut and slide to appropriate suspension point position. To lock the rod in position, twist the rod into the nut until it locks in position and no longer slides freely.
- 4 Repeat step 3 with the second Suspension Rod (B).
- 5 The Suspension Rods (B) are 6mm in diameter and should be secured to the ceiling or other support using an appropriate method.
- 6 Multiple lengths of Suspension Rods (B) may be joined with 6mm Coupling Nuts (C).
- 7 The baffles should be leveled and adjusted using a laser or string level. Adjust the Suspension Rod (B) length as needed at the ceiling attachment point.



## Cleaning Instructions

Wool Felt: Like any natural fiber, a minimal approach should always be taken to clean wool felt since the cleaning method could potentially do more harm than the soiling or stain. The cleaning approach should be (1) dust with a lint roller, (2) vacuum with a clean, soft brush, (3) clean with water and mild detergent, and (4) clean with chemical spot remover. **IMPORTANT:** Always test any cleaning method in an inconspicuous area before attempting general cleaning.

Akustika 10: Vacuum occasionally to remove general air-borne debris. Should soiling occur, spot clean with mild soap and lukewarm water.

For complete instructions, refer to the Product Maintenance + Cleaning Guide at [filzfelt.com/cleaning-guide](http://filzfelt.com/cleaning-guide).