

# Baffle with Suspension Cable Installation Instructions

Søuld + Felt Baffle

These installation recommendations consist of common-sense practices for installing baffles and similar products. Installers should rely upon their own professional experience and understanding of their unique requirements to be the best guide to a successful installation.

## Tools Needed

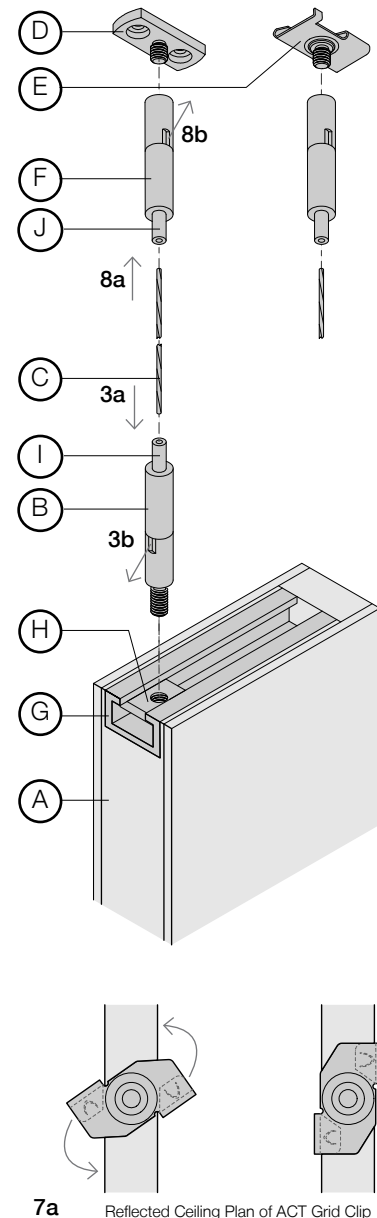
Ladder  
Wire cutter  
Crescent wrench  
Laser or string level  
Ceiling screws appropriate for ceiling type (if using ceiling attachment hardware)

## Components

- A Baffle(s) with C-Channels and Square Nuts
- B 3-5 x Cable Grippers (male) per baffle
- C 3-5 x 3'-0" (91.4 cm) lengths of Suspension Cable per baffle
- D 3-5 x Ceiling Mounting Plates per baffle (as ordered)
- E 3-5 x ACT Grid Clips per baffle (as ordered)
- F 1 x Cable Gripper (female) per Ceiling Mounting Plate or ACT Grid Clip (as ordered)

## Installation Instructions

- 1 Inspect the baffles. In the case of product defect or damage in transit, FilzFelt must be notified within five (5) business days. FilzFelt cannot accept a return or warranty claim on any product that has been installed.
- 2 Each baffle includes a C-Channel (G) along the top with Square Nuts (H)—one (1) for each suspension point. Screw a male Cable Gripper (B) into a square nut and then slide to the appropriate position in the channel. To lock the cable gripper in position, twist the gripper into the nut until it locks in position and no longer slides freely.
- 3 Insert a length of Suspension Cable (C) into the Cable Gripper (B) (3a) and feed through until it exits the hole on the side of the gripper (3b). The gripper is self-locking. To release the cable, press down on the Spring-Loaded Plunger (I).
- 4 Any extra length of cable may be laid into the C-Channel (G) to allow for future adjustment. **IMPORTANT:** If cutting off excess cable, leave at least 1" (2.5 cm) of cable showing. The Cable Gripper (B) is self-locking so there is no need to crimp the cable.
- 5 Repeat steps 3-4 with the remaining Cable Grippers (B).
- 6 If no ceiling attachment hardware is ordered with the baffles, skip to step 10.
- 7 **For Ceiling Mounting Plate (D):** Fasten a Ceiling Mounting Plate to the ceiling using screws appropriate for the ceiling type. Screw a female Cable Gripper (F) onto the plate until tight.  
**For ACT Grid Clip (E):** The clip include tabs that attach to standard ACT (acoustic ceiling tile) ceiling grid in 9/16" (1.4 cm) or 15/16" (2.4 cm) grid sizes. To install the ACT Grid Clip, first screw a female Cable Gripper (F) onto the clip until tight. Next, lift the ACT Grid Clip with Cable Gripper to the ACT ceiling grid with the tabs on either side of the grid, press the clip against the grid, and twist to secure the tabs on the grid. (7a)
- 8 Raise the baffle to within 3'-0" (91.4 cm) of the Ceiling Mounting Plate (D) or ACT Grid Clip (E) and insert a length of Suspension Cable (C) into the Cable Gripper (F) (8a) and feed the cable through until it exits the hole on the side of the gripper (8b). The gripper is self-locking. To release the cable, press down on the Spring-Loaded Plunger (J). **IMPORTANT:** Do not trim the cable until the baffles have been leveled and adjusted.
- 9 Repeat steps 7-8 with remaining ceiling attachment hardware.
- 10 Install remaining baffles following the previous steps.



- 11 The baffles should be leveled and adjusted using a laser or string level. Adjust the Suspension Cable (C) lengths by pressing down on the Spring-Loaded Plunger (I) on each Cable Gripper (B) and feed more or less cable through.

## Cleaning Instructions

---

Wool Felt: Like any natural fiber, a minimal approach should always be taken to clean wool felt since the cleaning method could potentially do more harm than the soiling or stain. The cleaning approach should be (1) dust with a lint roller or (2) vacuum with a clean, soft brush.

Sould Eelgrass: Like any natural fiber, a minimal approach should always be taken to clean eelgrass since the cleaning method could potentially do more harm than the soiling or stain. The cleaning approach should be (1) dust with a lint roller or (2) vacuum with a clean, soft brush.

**IMPORTANT:** Always test any cleaning method in an inconspicuous area before attempting general cleaning.

For complete instructions, refer to the Product Maintenance + Cleaning Guide at [filzfelt.com/cleaning-guide](https://filzfelt.com/cleaning-guide).